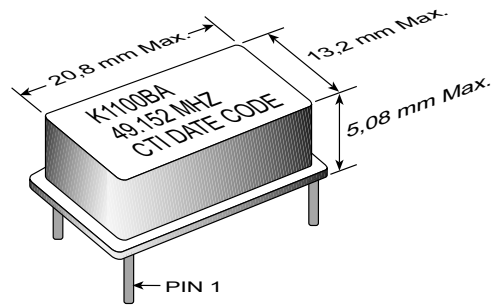


- 4-pin Package, Compatible with 14-pin DIL
- 1.0MHz to 70MHz Frequency Range
- HCMOS Circuit, TTL/CMOS Compatible  
Tight Symmetry (45/55%) Available
- Tri-State Option Available
- $\pm 100$ ppm Stability Standard  
Tighter Stabilities Available  
 $\pm 10$ ppm Stability:- K1110BA  
 $\pm 25$ ppm Stability:- K1125BA  
 $\pm 50$ ppm Stability:- K1150BA

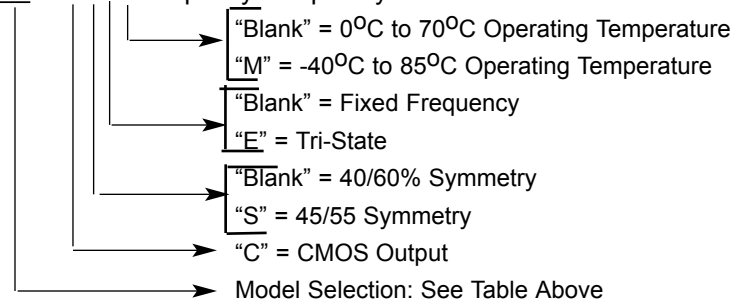


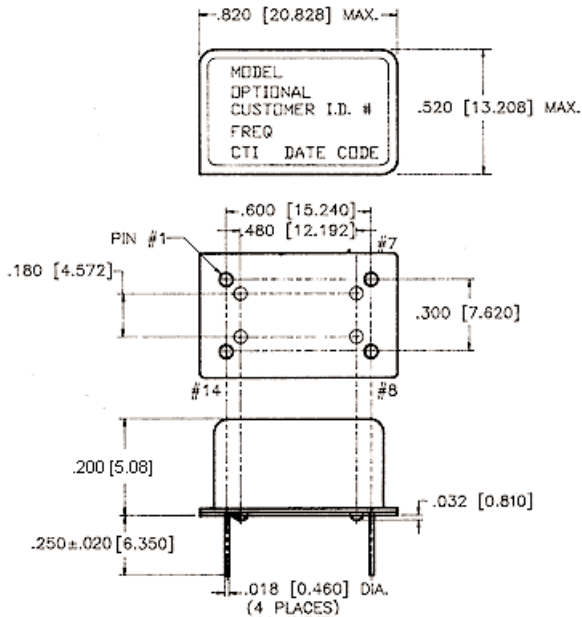
### ELECTRICAL SPECIFICATIONS

MODEL	K1100BA	K1150BA	K1125BA	K1110BA
<b>Frequency Range (MHz)</b>	1.0 to 70			
<b>Frequency Stability (ppm)</b>				
Overall	Inclusive of calibration, temperature, voltage, load, shock, vibration, aging			Rating Over Temperature Only
0°C to 70°C	$\pm 100$	$\pm 50$	$\pm 25$	$\pm 10$
-40°C to 85°C	$\pm 150$	$\pm 100$	NA	N/A
<b>Temperature Range (°C)</b>				
Operating	-40°C to +85°C			
Storage	-55°C to +125°C			
<b>Supply Voltage (V)</b>	+5.0 $\pm 10\%$			
<b>Supply Current (mA)</b>				
<20MHz	15			
20 - 70 MHz	50			
<b>Output TTL</b>				
Symmetry	40/60% @ 1.4V; 45/55% Optional			
$T_R$ and $T_F$ (ns)	$\leq 20$ MHz = 8; $> 20$ MHz = 6			
Fanout (TTL)	10			
<b>Output CMOS</b>				
Symmetry	40/60 @ 0.5V <sub>CC</sub>			
$T_R$ and $T_F$ (ns)	$\leq 20$ MHz = 10; $> 20$ MHz = 8			
<b>Start up Time (ms)</b>	<10			

### PART NUMBERING GUIDE

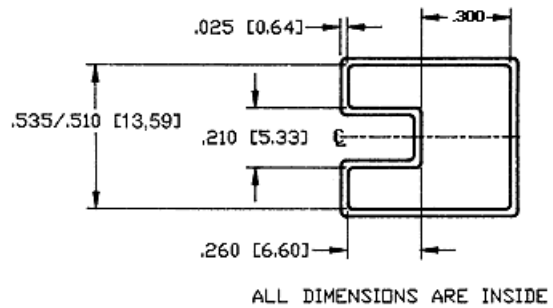
**K11XXBACXXX** - Specify Frequency



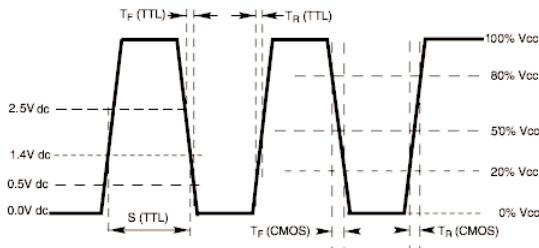


PIN	FUNCTION
1	N/C / Tri-State
2	Ground
3	Output
4	+V <sub>CC</sub>

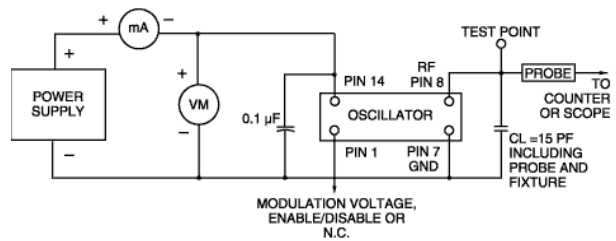
### SHIPPING TUBE CROSS SECTION



### OUTPUT WAVEFORM



### TEST CIRCUIT DIAGRAM



### MECHANICAL AND ENVIRONMENTAL SPECIFICATIONS

TEST METHODS	REFERENCE PROCEDURES	DESCRIPTION
Temperature Cycle	MIL-STD-833, Mtd 1010, Cond. B	-55°C to +125°C; Air-to-Air; 100 cycles; 10 min. dwell
Mechanical Shock	MIL-STD-883, Mtd 2002, Cond. B	1500 g's
Vibration	MIL-STD 883, Mtd 2007, Cond. B	20-2000 Hz; 0.06 inch; 15g's; 3 planes
Humidity Steady State	MIL-STD-202, Mtd 103	40°C; 90%-95% R.H.; 56 days
Thermal Shock	MIL-STD-883, Mtd 1011.7 Cond. B	100°C to 0°C; Water-to-Water; 15 cycles
Electrostatic Discharge	MIL-STD-883, Mtd 3015 Class II	2 KV to 4 KV Threshold
Solderability	MIL-STD-883, Mtd 2022.2	Solder dip; Meniscograph Criteria
Hermeticity	MIL-STD-883, Mtd 1014.8, Cond. A1	Mass spectro. 2 x 10 <sup>-8</sup> atmos. CC/sec He
Resistance to Soldering	MIL-STD-202, Mtd 210D, Cond. J	235°C; 30 seconds
Lead Integrity	MIL-STD-883, Mtd 2004.5, Cond. A, B1	Lead tension & bend stress
Marking Permanence	MIL-STD-883, Mtd 2015.8	Resistance to solvents
Life Test	MIL-STD-883, Mtd 1005.6	125°C, powered, 1000 hours minimum

This datasheet has been downloaded from:

[www.DatasheetCatalog.com](http://www.DatasheetCatalog.com)

Datasheets for electronic components.